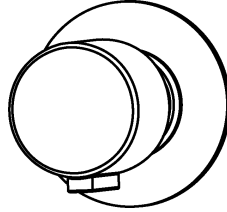




INSTALLATION MANUAL 3-WAY DIVERTER VALVE

✳️ Installation method and usage for below items are the same.

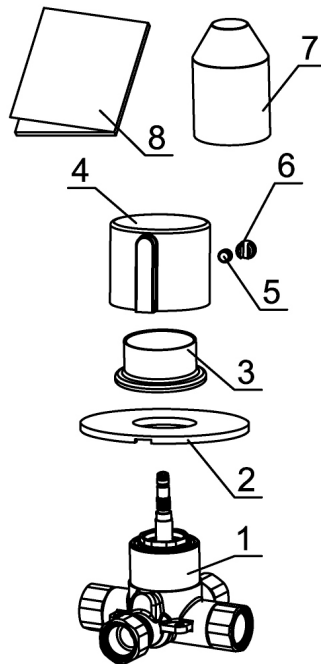


AB9101

✳️ COMPONENTS CHECKING

LIST OF THIS STANDARD COMPONENTS:

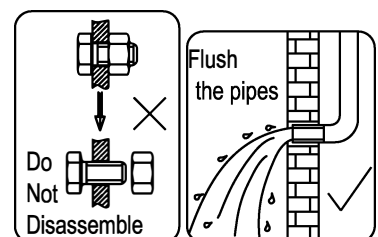
Please double-check the components list hereinafter and contact our company or our distributor for any unconformity.
 Remarks: 1. Without affecting their performing, components may be changed without further notice.
 2. Drawings for reference only. Product size & shape refer to actual faucet.



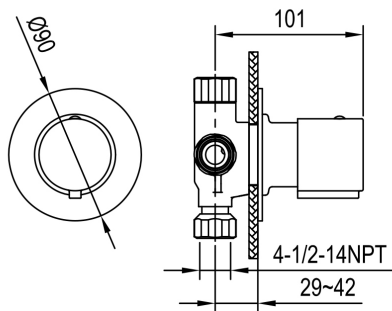
The Component List	Qty.
1. Main body	1
2. Cover plate	1
3. Adjustive cover	1
4. Handle	1
5. Screw	1
6. Decorative plug	1
7. Protective cover	1
8. Manual	1

✳️ Installation Instructions

- ☆ Do not disassemble the main body, as it has been installed & commissioned correctly & precisely before leaving the factory.
- ☆ To avoid the faucet from jamming, do flush the water pipe before installation.
- ☆ After installation, make sure every joint safely sealed & no leaking.
- ☆ The nominal water pressure is 0.05Mpa-1.0Mpa(including cold & hot water pressure), suitable for water temperature from:4 °C-90 °C.

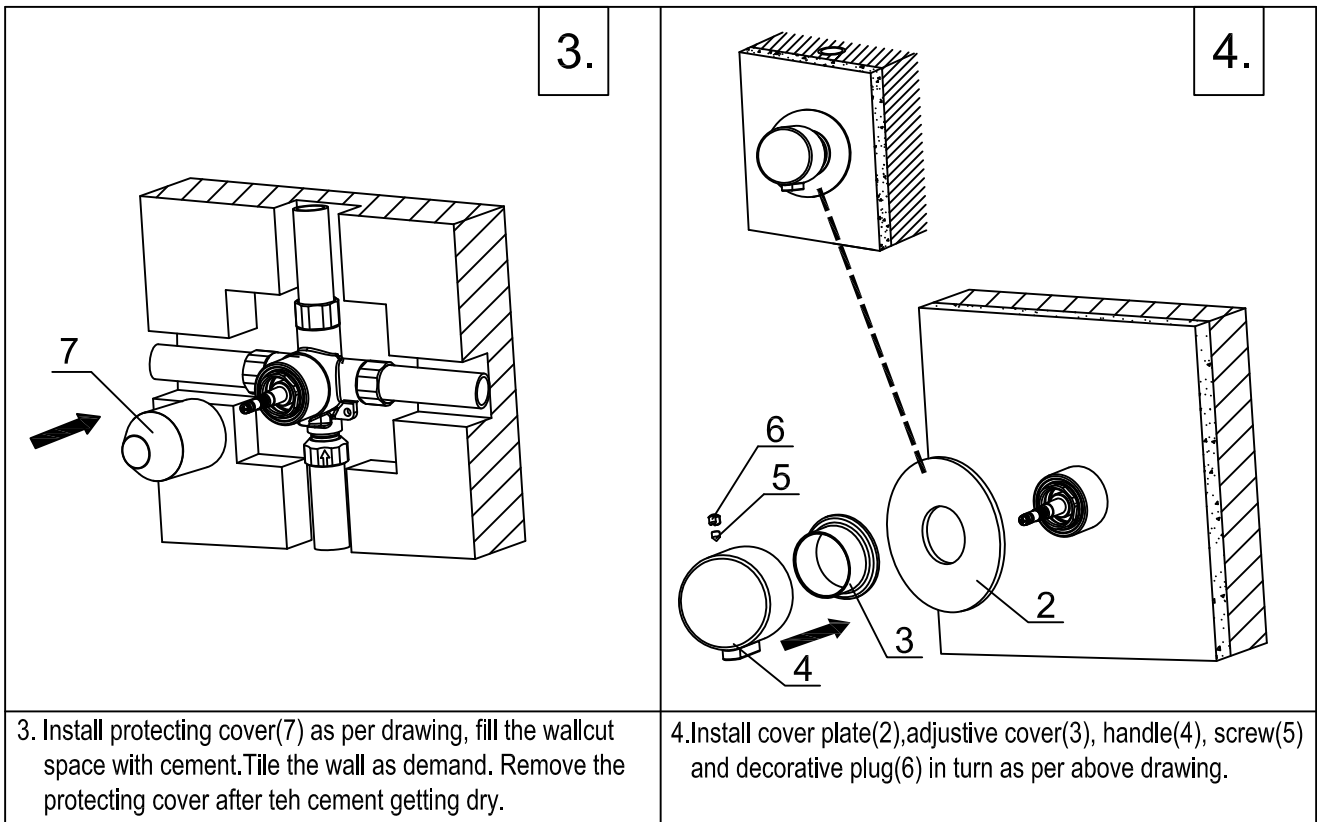


※Dimension Drawing



※Installation Procedures

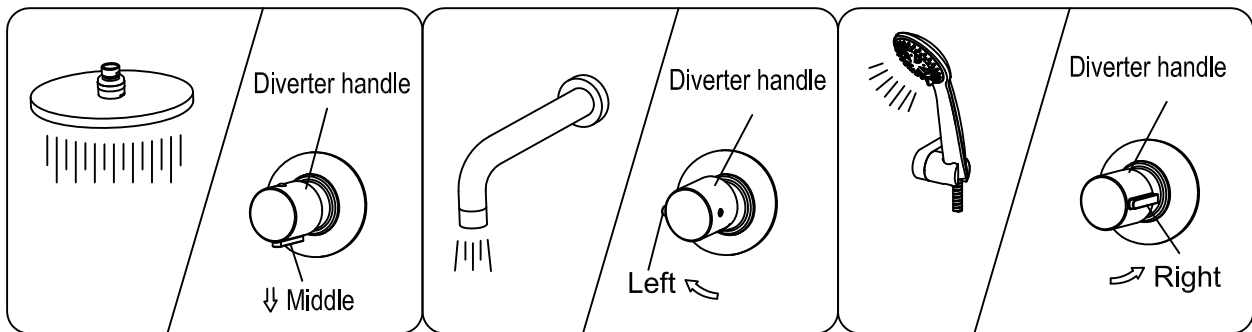
<p style="text-align: right;">1.</p> <p>For wallcut space</p>	<p style="text-align: right;">2.</p> <p>Notice: Connect connector with arrows to the mixer correctly.</p>
<p>1. Determine location of the valve according to the thickness of the wall (refer to the dimensions above).</p>	<p>2. Install the main body(1) to the mounting area. Connect the pipes and shower/bath outlets. Then test the tightness and check for leaks. Testing conditions: At opening position, to water test the outlet pipes and valve, water pressure $\leq 0.4\text{MPa}$</p>



✳Usage

☆How to operate the diverter handle:

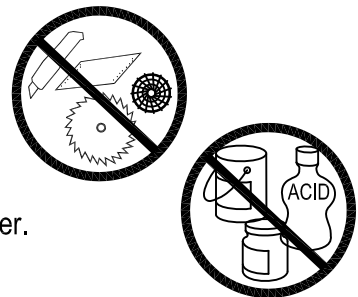
- 1) Rotate to middle position for headshower outlet.
- 2) Rotate to
 - 1) Rotate to the left for spout outlet.
 - 2) Rotate to up position for overhead shower outlet.
 - 3) Rotate to the right for handshower outlet.



✳Cleaning & Maintenance

☆ To keep the product clean & shining, follow the steps as below:

- 1.Flush with clean water & dry with soft cloth only.
- 2.If any dirt, clean with soft liquid or transparent glass detergent.
- 3.Do not use any scrubbing detergent, polisher, sand-cloth, paper tissue or scraper.
- 4.Do not use acid detergent, indissolvable grain-like detergent or soap.



✳This installation instruction is only for your reference,
the final right to explain & to revise it belongs to us.

Serial number: 80010113533